

# Sigma CP-R & Ancillary PCB | Conventional Fire Alarm Control Panel Repeaters

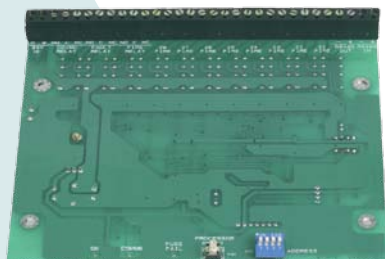
## Sigma CP-R Features

- Two wire serial connection
- Up to 7 panels per system
- 230V AC or 24V DC powered versions
- Full control over main panel
- Volt free fire and fault contact outputs

## Ancillary PCB Features

- Two wire serial connection
- Up to 7 boards per system
- 230V AC or 24V DC powered versions
- Open collector zonal fault outputs
- Volt free fire, coincidence and common fault contact outputs

**Note:** Also available is the Sigma Sounder Board (K461) which is compatible with all Sigma CP and CP-R panels which have operating software version V3.0 or above. See DS48 for more details.



Part No. K580

## Sigma CP-R Product Overview

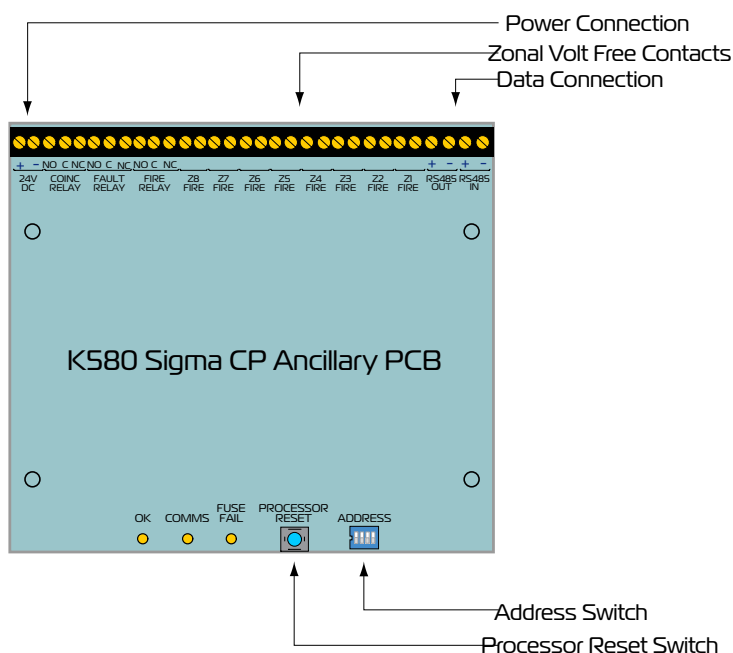
- The Sigma CP-R Repeater is compatible with all Sigma CP control panels which have operating software version V2.0 or above.
- Repeaters are available with 2, 4 or 8 zones and in mains powered (K versions) or 24V powered (E versions).
- Mains powered repeaters require only a two core data cable from the main control panel. 24V DC versions require an additional two cores for power either from the main panel or from another 24V DC source.
- A mixture of Repeaters, Ancillary boards or Sounder Boards up to a maximum of 7 of each type can be connected to a control panel and each is allocated an address from 1 to 7 using a binary coded DIL switch. The total length of the data cable from the main panel to the last repeater must not exceed 1200 metres.

## Ancillary PCB Product Overview

- The Sigma Ancillary Board is compatible with all Sigma CP and CP-R panels which have operating software version V2.0 or above.
- The board provides common fire, common fault, coincidence and zonal fire, volt free contacts allowing control of sub-systems, graphical mimics and plant, remotely from the main panel over a two wire data bus.
- Mains powered Ancillary boards require only a two core data cable from the main control panel. 24V DC versions require an additional two cores for power either from the main panel or from another 24V DC source.
- A mixture of Ancillary boards, Sounder boards or Repeaters up to a maximum of 7 of each type can be connected to a control panel and each is allocated an address from 1 to 7 using a binary coded DIL switch. The total length of the data cable from the main panel to the last repeater must not exceed 1200 metres.



Model No. E01080M2



## Panels

Product Code	Description	Supply Voltage	Standby Current	Alarm Current	Size (mm)
<b>E01020L2</b>	2 zone Sigma CP-R repeater panel	24V DC	0.075 Amps	0.094 Amps	385 x 310 x 60
<b>E01040L2</b>	4 zone Sigma CP-R repeater panel	24V DC	0.075 Amps	0.098 Amps	385 x 310 x 60
<b>E01080L2</b>	8 zone Sigma CP-R repeater panel	24V DC	0.075 Amps	0.11 Amps	385 x 310 x 60
<b>K01020M2</b>	2 zone Sigma CP-R repeater panel with PSU	230V AC	0.075 Amps	0.094 Amps	385 x 310 x 90
<b>K01040M2</b>	4 zone Sigma CP-R repeater panel with PSU	230V AC	0.075 Amps	0.098 Amps	385 x 310 x 90
<b>K01080M2</b>	8 zone Sigma CP-R repeater panel with PSU	230V AC	0.075 Amps	0.11 Amps	385 x 310 x 90
<b>K580</b>	Stand alone ancillary board	24V DC	0.020 Amps	0.2 Amps	155 x 136
<b>K02000M2</b>	Boxed ancillary board	24V DC	0.020 Amps	0.2 Amps	385 x 310 x 90
<b>K02750M2</b>	Boxed ancillary board with 0.75A PSU	230V AC	0.020 Amps	0.2 Amps	385 x 310 x 90
<b>K18002</b>	Tamper resistant Vision Window *	N/A	N/A	N/A	

\* Vision Window can be easily retrofitted to any Sigma CP-R panel

## Sigma CP-R Technical

<b>Construction</b>	- 1.2mm mild sheet steel
<b>IP Rating</b>	- IP30
<b>Finish</b>	- Epoxy powder coated
<b>Colour - lid &amp; box</b>	- BS 00 A 05 grey - fine texture
<b>Colour - Controls plate &amp; labels</b>	- RAL 7047 light grey - satin
<b>Weight</b>	- 6kg
<b>Supply voltage (K models)</b>	- 230V AC (+10%/-15%)
<b>Supply voltage (E models)</b>	- 20-30V DC
<b>Mains supply fuse</b>	- 1.6A 250V
<b>Power supply DC rating</b>	- 24V 1 Amps
<b>Maximum battery size</b>	- 7Ah 12V (2 per panel)
<b>Fault contact rating</b>	- 30V DC 1 Amp
<b>Fire contact rating</b>	- 30V DC 1 Amp
<b>Cable capacity</b>	- 2.5mm <sup>2</sup> per terminal
<b>Operating temperature</b>	- -5°C to +40°C
<b>Operating humidity</b>	- <95% (non condensing)

## Ancillary PCB Technical

<b>Construction (boxed)</b>	- 1.2mm mild steel
<b>IP Rating (boxed)</b>	- IP30
<b>Finish</b>	- Epoxy powder coated
<b>Colour - lid &amp; box</b>	- BS 00 A 05 grey - fine texture
<b>Colour - controls plate &amp; labels</b>	- RAL 7047 light grey - satin
<b>Weight</b>	-
<b>Supply voltage (K02750M2)</b>	- 230V AC (+10%/-15%)
<b>Supply voltage (K02000M2)</b>	- 20-30V DC
<b>Mains supply fuse</b>	- 1.6A 250V
<b>Power supply DC rating</b>	- 24V 750mA
<b>Maximum battery size</b>	- 2.6Ah 12V (2 per panel)
<b>Standby current</b>	- 20mA
<b>Full alarm current</b>	- 190mA
<b>Fault contact rating</b>	- 30V DC 1 Amp
<b>Fire contact rating</b>	- 30V DC 1 Amp
<b>Coincidence contact rating</b>	- 30V DC 1 Amp
<b>Zonal contact rating</b>	- 30V DC 1 Amp
<b>Cable capacity</b>	- 2.5mm <sup>2</sup> per terminal
<b>Operating temperature</b>	- -5°C to +50°C
<b>Operating humidity</b>	- <95% (non condensing)