

# E2xL25 PA Loudspeaker 25W

**The hazardous area E2xL25 PA loudspeaker is UL approved for Class I Div 2 applications.**

The E2xL25 is available with either a 70V or 100V line transformer or as a low impedance loudspeaker.

The E2x range features enclosures manufactured from lightweight, corrosion proof PPS and high impact, fire retardant ABS re-entrant flare horns; both of which are suitable for the harshest of environments.

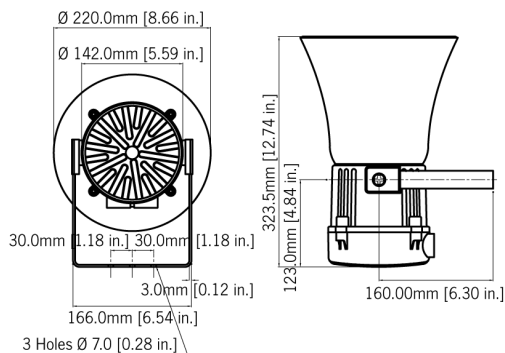
## Features

- Very large termination area.
- Ratchet adjustable stainless steel 'U' bracket.
- Transformer type fitted with thermal fuse
- Complies with BS5839 part 8

## Approvals

- UL File ref: E230764





## Specification

SPL: 111dB +/-3dB @ 1w @ 1m (Pink)  
124dB +/-3dB @ 25w @ 1m (Rated)

Rated power: 25 Watts RMS

70v line tapings: 25w / 12.5w / 6w / 2w tapings  
(z=196 Ohms / 392 Ohms /  
816.67 Ohms / 2.45k Ohms)

100v line tapings: 25w / 12.5w / 6w / 2w tapings  
(z=400 Ohms / 800 Ohms /  
1.67k Ohms / 5k Ohms)

Low impedance: 8 Ohm or 16 Ohm

Dispersion: 130° @ 1kHz & 32° @ 4kHz

Frequency range: 300Hz to 8000 Hz

DC Line monitoring: 2.2 $\mu$ F Capacitor  
(Transformer version)

Ingress protection: UL: Type 4, 4X & 13

Housing material: UL94V0 PPS & ABS

ATEX/cable entries: 2 x M20 ISO cable gland entries -  
with 1 blanking plug.

UL cable entries: 1 x 1/2" NPT cable gland entry  
& 1 x M20 with blanking plug

Terminals: 0.5 to 2.5mm<sup>2</sup> - In & Out

Weight: Low impedance: 2.75kg/6.05lbs  
Transformer: 3.25kg/7.15lbs

\*SPL data +/-3dB(A). Measured at optimum voltage.

## Part Codes

**Part Code:**

**UL version:**

**Classification:**

E2xL25UL\*\*

Class I, Div 2, Grps A,B,C,D T2 C  
(230°C) at +55°C

Class I, Div 2, Grps A,B,C,D T2 D  
(215°C) at +40°C

Class II, Div 2, Grps F & G T5  
(100°C) at +55°C

Class II, Div 2, Grps F & G T6  
(85°C) at +40°C

Class III, Divs 1 & 2, T5  
(100°C) at +55°C

Class III, Divs 1 & 2, T6  
(85°C) at +40°C

\*\* = Type reference:

Options: 70V 70V Line transformer

100V 100V Line transformer

8R 8 Ohm low impedance

16R 16 Ohm low impedance

e.g: E2xL25UL100V