

# E2xL15 PA Loudspeakers 15W

**The hazardous area E2xL15 PA loudspeaker is ATEX certified for Zone 2 applications and also UL approved for Class I Div 2 applications.**

The E2xL15 is available with either a 70V or 100V line transformer or as a low impedance loudspeaker.

The E2x range features enclosures manufactured from lightweight, corrosion proof PPS and high impact, fire retardant ABS re-entrant flare horns; both of which are suitable for the harshest of environments.

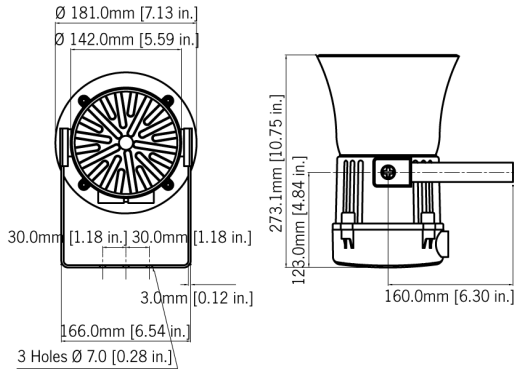
## Features

- Very large termination area.
- Ratchet adjustable stainless steel 'U' bracket.
- Transformer type fitted with thermal fuse
- Complies with BS5839 part 8

## Approvals

- ATEX certificate: DEMKO 06 ATEX 0421554, EN 50021: 1999
- UL File ref: E230764





## Specification

SPL:	108dB +/-3dB @ 1w @ 1m (Pink noise) 118dB +/-3dB @ 15w @ 1m (Rated)
Rated power:	15 Watts RMS
70v line tapings:	15w / 7.5w / 3w / 1w -Z=336.67 Ohms / 653.33 Ohms / 1.6k Ohms / 4.9k Ohms)
100v line tapings:	15w / 7.5w / 3w / 1w -Z=666.87 Ohms / 1.34k Ohms / 3.34k Ohms / 10k Ohms)
Low impedance:	8 Ohm (I/P: 10.95V) -or 16 Ohm (I/P: 15.49V)
Dispersion:	120° @ 1kHz & 32° @ 4kHz
Frequency range:	400Hz to 8000 Hz
DC Line monitoring:	2.2µF Capacitor -(Transformer version)
Ingress protection:	ATEX: IP66 & IP67 -UL: Type 4, 4X & 13
Housing material:	UL94V0 PPS & ABS
ATEX cable entries:	2 x M20 ISO cable entries - -with 1 blanking plug.
UL cable entries:	1 x 1/2" NPT cable gland entry & 1 x M20 with blanking plug
Terminals:	0.5 to 2.5mm <sup>2</sup> - In & Out
Weight:	Low impedance: 2.5kg/5.5lbs -Transformer: 3.00kg/6.6lbs
*SPL data +/-3dB(A). Measured at optimum voltage.	

## Part Codes

**Part Code:** **Classification:**

**ATEX version:**

E2xL15EG\*\* II 3G EEx nA IIC T4  
(Tamb -20°C to +55°C)

**UL version:**

E2xL15UL\*\* Class I, Div 2, Grps A,B,C,D T4  
(135°C) at +55°C  
Class I, Div 2, Grps A,B,C,D T4A  
(120°C) at +40°C  
Class II, Div 2, Grps F & G T6  
(85°C) at +55°C  
Class III, Div 1, T6  
(85°C) at +40°C

\*\* = Type reference:

Options:	70V	70V Line transformer
	100V	100V Line transformer
	8R	8 Ohm low impedance
	16R	16 Ohm low impedance

e.g: E2xL15UL100V