

GNExCP6B-PT Tool Reset

Manual Call Point with EOL & series devices.

The GNExCP6B manual call points are available as break glass, push button or tool reset versions. They are approved for Zone 1, 2, 21 and 22 hazardous areas for the control of fire and gas alarm systems.

All types are available with EOL or series resistors, diode or Zener diodes or an LED indicator and also with either single or double pole change over switches. All versions are certified to ATEX and IECEx standards.

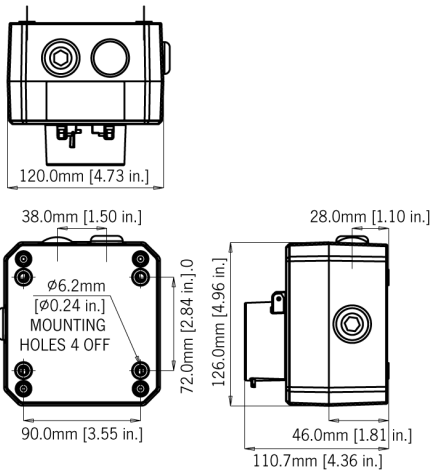
Options

- Alternative housing colours are available to meet specific requirements.
- Single or double pole c/o switch.
- DIN rail mounted terminal blocks: 8 x 2.5mm².
- Metalised polyester or stainless steel "Duty" label.
- Series and/or End of Line resistors, diodes & Zener diodes
- Indicator LED.

Approvals

- ATEX certificate: Sira 09ATEX3286X,
IEC 60079-0:2007 Ed 5, EN 60079-1:2004,
EN 60079-7:2007, IEC 60079-18:2009 Ed 3,
EN 61241-1:2004
- IECEx certificate: IECEx SIR 09.012 1X,
IEC 60079-0:2007-10 Edition: 5,
IEC 60079-1:2003 Edition: 5,
IEC 60079-18:2009 Edition: 3,
IEC 60079-7:2006-07 Edition: 4,
IEC 61241-1:2004 Edition: 1





Specification

GNEXP6B:	II 2G Ex d mb IIC T4 Gb II 2D Ex t IIIC T80°C Db IP66
Ambient:	Ta = -40°C to +50°C [-40° to +122 °F]
Ingress protection:	IP66
Housing material:	GRP - glass reinforced polyester (UV stable)
Colour:	RAL3000 Red (others available on request)
Cable entries:	2 x M20 clearance top and 1 x M20 clearance side. Back box can be rotated to give 2 x bottom and 1 x side entries.
Stopping plugs:	2 x Ex e nylon plugs as standard Brass and stainless steel plugs optional
Terminals:	6 x 4.0mm ² / 8 x 2.5mm ²
Weight:	1.3Kg/2.86lbs
Note:	For applications that do not require monitoring resistors, diodes or indicator LED's please see the GNEXP6A-PT version. Data sheet reference: 1.3.06.

The GNEXP6B call point can contain a maximum of two resistor or diode E.O.L. or series modules. The LED indicator can be combined with an EOL resistor or diode.

Part Codes

Option:	Code:	Description:
Type:	GNEXP6B-PT	B type - choice of end of line devices
Switch type:	S D	S: SPCO D: DPCO
Stopping plug:	N B S P	N: Nylon B: Brass S: Stainless Steel P: Nickel Plated
Terminals:	S D	S: Standard 6 x 4mm ² D: DIN Rail 8 x 2.5mm ²
Duty label:	N P S	N: No duty label P: Metalised Polyester S: Stainless Steel
Colour:	RD, BL, GN, YW, RW, YB, BK	RD: Red BL: Blue GN: Green YW: Yellow RW: Red/White YB: Yellow/Black BK: Black
Voltage:	48V, 24V 12V, 6V	System voltage
E.O.L. Module:	ExxxR ED1 ExxxZ	Resistor value in Ohms e.g. E470R = 470 Ohm Diode IN4007 = ED1 Zener diode e.g. E5V1Z = 5.1V
Series Module:	SxxxR SD1 SxxxZ LED	Resistor value in Ohms e.g. S1K5R = 1.5K Ohm Diode IN4007 = SD1 Zener diode e.g. S5V1Z = 5.1V LED = LED indicator

Example: GNEXP6B-PT-S-N-S-N-RD-24-E470R-S10KR

Versions

The GNEXP6B call point can contain a maximum of two resistor or diode E.O.L. or series modules. The LED indicator can be combined with an EOL resistor or diode.

Resistors:	Zener Diodes:		Diodes:				
	Max / Nominal Voltage:	Min. Series Value:	Max. Current Resistor:	Zener Voltage:	Max. Input Volt.:	Max. Current:	Max. Voltage:
56V / 48V	1K8	0.75A	3.3V	56V dc	230mA	<56V dc	0.75A
28V / 24V	470R	1.00A	4.7V	56V dc	162mA	<50V dc	1.00A
15V / 12V	120R	1.00A	5.1V	56V dc	149mA		
9V / 6V	47R	1.00A	5.6V	56V dc	136mA		
			6.2V	56V dc	122mA		
			6.8V	56V dc	112mA		
			10V	56V dc	76mA		
			12V	56V dc	63mA		