

GNExCP6A-PT Tool Reset

Manual Call Point.

The GNExCP6A manual call points are available as break glass, push button or tool reset versions. They are approved for Zone 1, 2, 21 and 22 hazardous areas for the control of fire and gas alarm systems.

Available with either single or double pole change over switches. All versions are certified to ATEX and IECEx standards.

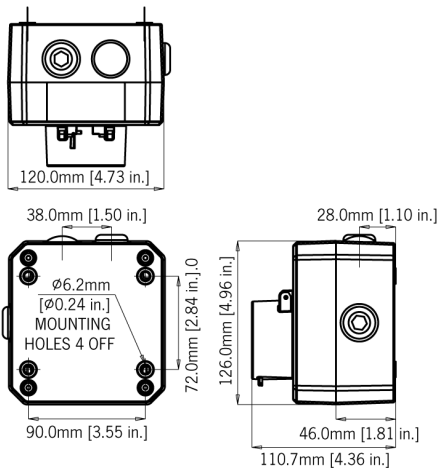
Options

- Alternative housing colours are available to meet specific requirements.
- Single or double pole c/o switch.
- Metalised polyester or stainless steel "Duty" label.

Approvals

- ATEX certificate: Sira 09ATEX3286X,
IEC 60079-0:2007 Ed 5, EN 60079-1:2004,
EN 60079-7:2007, IEC 60079-18:2009 Ed 3,
EN 61241-1:2004
- IECEx certificate: IECEx SIR 09.012 1X,
IEC 60079-0:2007-10 Edition: 5,
IEC 60079-1:2003 Edition: 5,
IEC 60079-18:2009 Edition: 3,
IEC 60079-7:2006-07 Edition: 4,
IEC 61241-1:2004 Edition: 1





Specification

GNEXP6A:	II 2G Ex e d IIC T6 Gb II 2D Ex t IIIC T60°C Db IP66
Ambient:	Ta = -40°C to +55°C [-40° to +131°F]
Ingress protection:	IP66
Housing material:	GRP - glass reinforced polyester (UV stable)
Colour:	RAL3000 Red (others available on request)
Cable entries:	2 x M20 clearance top and 1 x M20 clearance side. Back box can be rotated to give 2 x bottom and 1 x side entries.
Stopping plugs:	2 x Ex e nylon plugs as standard Brass and stainless steel plugs optional
Terminals:	6 x 4.0mm ² cables.
Weight:	1.3Kg/2.86lbs
Note:	For applications requiring monitoring resistors, diodes or indicator LED's please see the GNEXP6B-PT version. Data sheet reference: 1.3.09.

Part Codes

Option:	Code:	Description:
Type:	GNEXP6A-PT	A type - no end of line devices
Switch type:	S D	S: SPCO D: DPCO
Stopping plug:	N B S P	N: Nylon B: Brass S: Stainless Steel P: Nickel Plated
Duty label:	N P S	N: No duty label P: Metalised Polyester S: Stainless Steel
Colour:	RD, BL, GN, YW, RW, YB, BK	RD: Red BL: Blue GN: Green YW: Yellow RW: Red/White YB: Yellow/Black BK: Black

Example:

GNEXP6A-PT-S-N-N-N-RD
GNEXP6A call point - Tool reset type
- Single Pole switch - Nylon stopping plugs
- No duty label required - Red colour housing

Versions

Version:	Voltage:	Switch rating:	Terminals:	Cable entries:
GNEXP6A	250V ac Max. 5.0A Max. 50V dc Max. 1.0A Max.		6 x 4mm ²	2 x M20 Top/Bottom 1 x M20 Left/Right

Coding:

II 2G Ex e d IIC T6 Gb Ta = -40°C to +55°C
II 2D Ex t IIIC T60°C Db IP66