

# GNExL2 PA Loudspeaker 25W

**The flameproof GNExL2 PA loudspeaker is suitable for Zone 1 & Zone 2 applications.**

The GNEx range features enclosures manufactured from GRP (glass reinforced polyester), moulded in natural red, but also available in other colours.

The re-entrant flare horn is high impact, fire retardant ABS. All models have two M20 cable entries, large termination areas containing in & out terminals and an ingress protection of IP66/67.

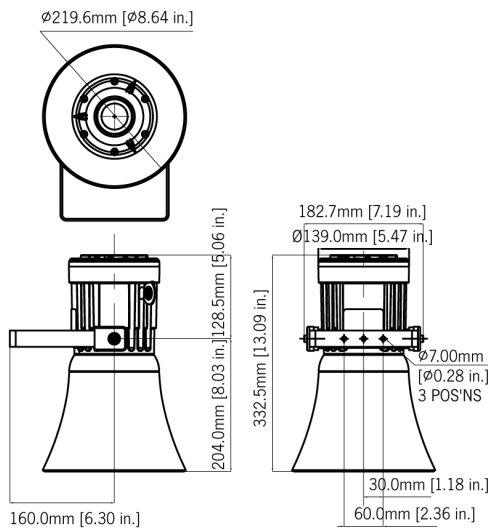
## Features

- Very large termination area.
- Ratchet adjustable stainless steel 'U' bracket.
- IN & OUT terminals

## Approvals

- ATEX certificate: SIRA 13ATEX1139X,  
EN 60079-0 : 2012, EN 60079-1 : 2007
- IECEx certificate: IECEx SIR 13.0029X,  
IEC 60079-0 : 2011 (Ed6), IEC 60079-1 : 2007 (Ed6)





### Specification

SPL:	105dB +/-3dB @ 1w @ 1m (Pink) 119dB +/-3dB @ 25w @ 1m (Rated)
Rated power:	25 Watts RMS
70v line tapings:	25w / 12.5w / 6w / 2w tapings
100v line tapings:	25w / 12.5w / 6w / 2w tapings
Low impedance:	8 Ohm or 16 Ohm
Dispersion:	130° @ 1kHz & 32° @ 4kHz
Frequency range:	300Hz to 8000 Hz
DC Line monitoring:	2.2 $\mu$ F Capacitor (Transformer version) 470 $\mu$ F Capacitor (Impedance version)
Ingress protection:	IP66/67
Housing material:	GRP
Colour:	RAL3000 Red (others available on request)
Horn flare:	High impact UL94 V0 & 5VA FR ABS (Red)
Cable entries:	Dual M20 ISO
Terminals:	0.5 to 4.0mm <sup>2</sup> cables.
Weight:	70/100V line: 4.3kg/9.46lbs Low imp.: 3.95kg/8.59lbs

### Part Codes

Code:	Description:
GNEXL2	2.5W PA Loudspeaker
V100	70/100V line transformer
R008	8 Ohm low impedance
R016	16 Ohm low impedance
-N	No stopping plug (standard)
-B	Brass stopping plug
-S	Stainless steel stopping plug
-P	Nickel plated brass stopping plug
-1	Mounting bracket 304 stainless steel (A2) (standard)
-2	Mounting bracket 316 stainless steel (A4)
-A-1	Approval to ATEX & IECEx (standard)
-R	Housing colour Red (standard)
-S	Other housing colour - please specify

Example:  
GNEXL2V100B-1-A-1-R  
GNEXL2 70/100V line transformer version with brass stopping plug, 304 stainless steel mounting bracket, approved to ATEX & IECEx in a red housing.