

GNEXL1 PA Loudspeaker 15W

The flameproof GNEXL1 PA loudspeaker is suitable for Zone 1 & Zone 2 applications.

The GNEXL range features enclosures manufactured from GRP (glass reinforced polyester), moulded in natural red, but also available in other colours.

The re-entrant flare horn is high impact, fire retardant ABS. All models have two M20 cable entries, large termination areas containing in & out terminals and an ingress protection of IP66/67.

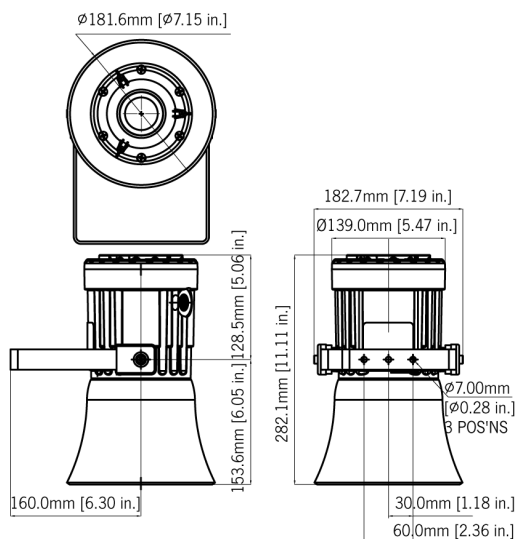
Features

- Very large termination area.
- Ratchet adjustable stainless steel 'U' bracket.
- IN & OUT terminals

Approvals

- ATEX certificate: SIRA 13ATEX1139X,
EN 60079-0 : 2012, EN 60079-1 : 2007
- IECEx certificate: IECEx SIR 13.0029X,
IEC 60079-0 : 2011 (Ed6), IEC 60079-1 : 2007 (Ed6)





Specification

SPL:	102dB +/-3dB @ 1w @ 1m (Pink) 113dB +/-3dB @ 15w @ 1m (Rated)
Rated power:	15 Watts RMS
70v line tapings:	15w / 7.5w / 3w / 1w
100v line tapings:	15w / 7.5w / 3w / 1w
Low impedance:	8 Ohm or 16 Ohm
Dispersion:	120° @ 1kHz & 32° @ 4kHz
Frequency range:	400Hz to 8000 Hz
DC Line monitoring:	2.2µF Capacitor (Transformer) 470µF Capacitor (Low impedance)
Ingress protection:	IP66/67
Housing material:	GRP
Colour:	RAL3000 Red (others available on request)
BExL15 flare:	High impact UL94 V0 & 5VA FR ABS (Red)
Cable entries:	Dual M20 ISO
Terminals:	0.5 to 4.0mm ² cables.
Weight:	70/100V line: 3.8kg/8.36lbs Low imp.: 3.45kg/7.59lbs

Part Codes

Code:	Description:
GNExL1	15W PA Loudspeaker
V100	70/100V line transformer
R008	8 Ohm low impedance
R016	16 Ohm low impedance
-N	No stopping plug (standard)
-B	Brass stopping plug
-S	Stainless steel stopping plug
-P	Nickel plated brass stopping plug
-1	Mounting bracket 304 stainless steel (A2) (standard)
-2	Mounting bracket 316 stainless steel (A4)
-A-1	Approval to ATEX & IECEx (standard)
-R	Housing colour Red (standard)
-S	Other housing colour - please specify
Example:	
GNExL1V100B-1-A-1-R	
GNExL1 70/100V line transformer version with brass stopping plug, 304 stainless steel mounting bracket, approved to ATEX & IECEx in a red housing.	