

BExH120-R/BExDH120-R 'Belltronic' Ex Bell

The flameproof BExH120-R 'Belltronic' Signalling Bell is suitable for Zone 1 & 2 applications. The BExH120D authentically reproduces the traditional sound of a electro-mechanical bell whilst providing a significantly higher level of performance and reliability. The BExDH120-R variant is also suitable for Zone 21 & 22.

The digitally stored bell recording is output via a class D amplifier achieving sound levels exceeding the performance of a mechanical bell whilst offering a continuously rated signal. The radial horn design not only physically emulates the traditional bell it also replicates the distribution of the audible signal.

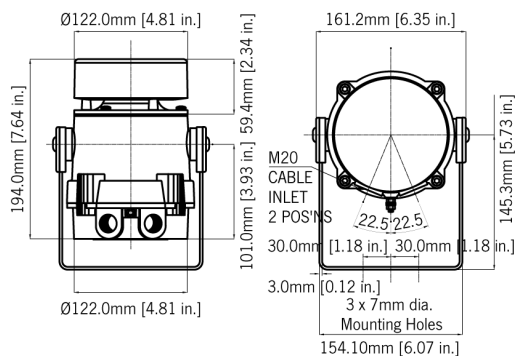
Features

- Digitally stored mechanical bell sound.
- Continuously rated.
- Maintenance free.
- Very large termination area.
- Ratchet adjustable stainless steel 'U' bracket.

Approvals

- ATEX certificate: KEMA 99ATEX6312, EN 60079-0 : 2006, EN 60079-1 : 2007, EN 61241-0 : 2006, EN 61241-1 : 2004
- IECEx certificate: IECEx KEM 10.0003, IEC 60079-0 : 2004 (Ed4), IEC 60079-1 : 2007 (Ed6), IEC 61241-0 : 2004 (Ed1), IEC 61241-1 : 2004 (Ed1)
- Safety-integrity suitability: SIL1
- Inmetro certificate: 10HEx-0009
- GOST-R certificate: POCC GB.JB05.B03365





Specification

Nominal output:	106dB(A) @ 1m +/- 3dB [97dB(A) @ 10ft/3m]
Volume control:	Yes
Voltages DC:	2.4vdc
Voltages AC:	115vac; 230vac
Ingress protection:	IP66/67
Housing material:	Marine grade copper free LM6 Aluminium
Housing finish:	Phosphated & powder coated finish - anti-corrosion
Colour:	RAL3000 Red or RAL7038 Grey (others available on request)
BExH120R flare:	High impact UL94 V0 & 5VA FR ABS
BExDH120R flare:	Anti-Static High impact ABS (Black)
Cable entries:	Dual M20 ISO (one stopping plug inc)
Terminals:	0.5 to 2.5mm ² cables.
Weight :	DC: 3.20kg/7.04lbs AC: 3.40kg/7.48lbs

Part Codes

Part Code:	Classification:
BExH120DR**G	ATEX / IECEx:
Grey Housing & Red Gong	II 2G Ex d IIB T4 Ta. -50 to +70°C II 2G Ex d IIC T4 Ta. -50 to +55°C
BExH120DR**R	ATEX / IECEx:
Red Housing & Red Gong	II 2G Ex d IIB T4 Ta. -50 to +70°C II 2G Ex d IIC T4 Ta. -50 to +55°C
BExDH120DR**G	ATEX / IECEx:
Grey Housing & Black Gong	II 2G Ex d IIB T4 Ta. -50° to +70°C II 2G Ex d IIC T4 Ta. -50° to +55°C II 2D Ex tD A21 IP67 T115 based on a max. Ta. of 70°C
BExDH120DR**R	ATEX / IECEx:
Red Housing & Black Gong	II 2G Ex d IIB T4 Ta. -50° to +70°C II 2G Ex d IIC T4 Ta. -50° to +55°C II 2D Ex tD A21 IP67 T115 based on a max. Ta. of 70°C
** = Voltage reference:	
Options:	24DC, 115AC, 230AC

Current Consumption

Voltage:	Current:
24V dc	400mA
115V ac	50/60Hz 130mA
230V ac	50/60Hz 65mA

Tonetable

S 1	Description	S 2	S 3
T 1	Industrial Hooter	T 3	T 5
T 2	High Frequency Mechanical Siren	T 1	T 5
T 3	Medium Frequency Mechanical Siren	T 1	T 5
T 4	Electro Mechanical Buzzer	T 2	T 5
T 5	Mechanical Bell	T 1	T 2