

# BExH120/BExDH120 'Hootronic' Alarm Horn

The flameproof BExH120 'Hootronic' Siren is suitable for Zone 1 & 2 applications. The BExH120D authentically reproduces the traditional sounds of electro-mechanical devices whilst providing a significantly higher level of performance and reliability. The BExDH120 variant is also suitable for Zone 21 & 22.

The E2S Hootronic series of products faithfully reproduce the sounds made by legacy electro-mechanical signalling devices but in a modern, reliable and cost effective way. With output levels of up to 117.5dB(A) at 1 metre the BExH120 surpasses legacy electro-mechanical devices in performance and effectiveness, it is also continuously rated, requires zero maintenance and the signal quality will not degrade with age.

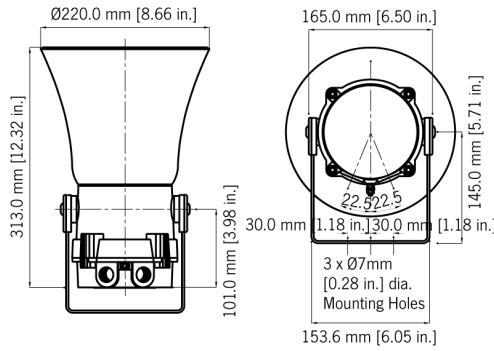
## Features

- Very large termination area.
- Ratchet adjustable stainless steel 'U' bracket.
- Sound level outputs up to 117.5dB(A) at 1 metre with a choice of 5 alarm sounds combining the signalling power of multiple electro-mechanical products in one unit:
  1. Industrial Hooter
  2. High Frequency Mechanical Siren
  3. Medium Frequency Mechanical Siren
  4. Electro Mechanical Buzzer
  5. Mechanical Bell

## Approvals

- ATEX certificate: KEMA 99ATEX6312,  
EN 60079-0 : 2006, EN 60079-1 : 2007,  
EN 61241-0 : 2006, EN 61241-1 : 2004
- IECEx certificate: IECEx KEM 10.0003,  
IEC 60079-0 : 2004 (Ed4), IEC 60079-1 : 2007 (Ed6),  
IEC 61241-0 : 2004 (Ed1), IEC 61241-1 : 2004 (Ed1)
- Safety integrity suitability: SIL1
- Inmetro certificate: 10HEx-0009
- GOST-R certificate: POCC GB.JB05.B03365





### Specification

Nominal output:	117.5dB(A) @ 1m +/- 3dB - Tone 4 [108.5dB(A) @ 10ft/3m]
No. of tones:	5
No. of stages:	3
Volume control:	Yes
Effective range:	200m/656ft @ 1KHz
Voltages DC:	24vdc
Voltages AC:	115vac; 230vac
Stage switching:	Negative
Ingress protection:	IP66/67
Housing material:	Marine grade copper free LM6 Aluminium
Housing finish:	Phosphated & powder coated finish - anti-corrosion
Colour:	RAL3000 Red or RAL7038 Grey (others available on request)
BExH120 flare:	High impact UL94 V0 & 5VA FR ABS
BExDH120 flare:	Anti-Static High impact ABS (Black)
Cable entries:	Dual M20 ISO (one stopping plug included)
Terminals:	0.5 to 2.5mm <sup>2</sup> cables.
Weight:	DC: 3.20kg/7.04lbs AC: 3.40kg/7.48lbs

\*SPL data +/-3dB(A). Measured at optimum voltage.

### Part Codes

Part Code:	Classification:
BExH120D**G	ATEX / IECEx:
Grey Housing & horn	II 2G Ex d IIB T4 Ta. -50 to +70°C II 2G Ex d IIC T4 Ta. -50 to +55°C
BExH120D**R	ATEX / IECEx:
Red Housing & Horn	II 2G Ex d IIB T4 Ta. -50 to +70°C II 2G Ex d IIC T4 Ta. -50 to +55°C
BExDH120D**G	ATEX / IECEx:
Grey Housing & Black Horn	II 2G Ex d IIB T4 Ta. -50° to +70°C II 2G Ex d IIC T4 Ta. -50° to +55°C II 2D Ex tD A21 IP67 T115 based on a max. Ta. of 70°C
BExDH120D**R	ATEX / IECEx:
Red Housing & Black Horn	II 2G Ex d IIB T4 Ta. -50° to +70°C II 2G Ex d IIC T4 Ta. -50° to +55°C II 2D Ex tD A21 IP67 T115 based on a max. Ta. of 70°C

\*\* = Voltage reference:

Options: 24DC, 115AC, 230AC

### Current Consumption

Voltage:		Max. I/P Volts:	Current:
24V dc		30V dc	400mA
115V ac	50/60Hz	126.5V ac	130mA
230V ac	50/60Hz	253V ac	65mA

### Tonetable

<b>S 1</b>	<b>Description</b>	<b>S 2</b>	<b>S 3</b>
T 1	Industrial Hooter	T 3	T 5
T 2	High Frequency Mechanical Siren	T 1	T 5
T 3	Medium Frequency Mechanical Siren	T 1	T 5
T 4	Electro Mechanical Buzzer	T 2	T 5
T 5	Mechanical Bell	T 1	T 2