

BExS120/BExDS120 Alarm Horn Sounders 123dB(A)

The flameproof BExS120 alarm sounders are suitable for Zone 1 & Zone 2 applications and the BExDS120 sounders also for Zone 21 & 22.

Sound level outputs are up to 123dB(A) at 1 metre with a choice of 32 alarm tones and 3 remotely selectable stages. The BEx range features enclosures manufactured from corrosion proof, marine grade copper free LM6 aluminium which is phosphated and powder coated.

The re-entrant flare horns are high impact, fire retardant ABS. All models have two M20 cable entries, large termination areas containing in & out terminals (Ex de version only) and an ingress protection of IP66/67 (Ex d) and IP66 (Ex de).

For fire applications the BExS120D 24V dc siren is CPD EN89/106/EEC compliant (EN54-3 tested).

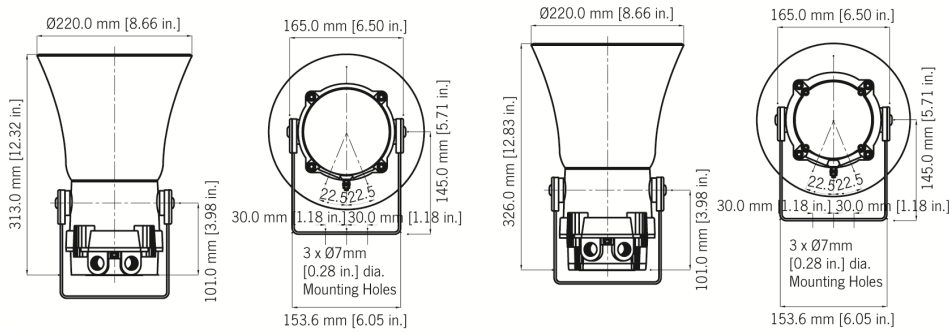
Features

- Automatic synchronisation on multi-sounder system.
- Very large termination area.
- Ratchet adjustable stainless steel 'U' bracket.
- IN & OUT terminals (Ex de version only).
- 'Programmable' version available:
 - 45 alarm tones
 - 4 remotely selectable stages
 - Any tone can be assigned to any stage
 - User configurable continuous frequency tone

Approvals

- ATEX certificate: KEMA 99ATEX6312, EN 60079-0 : 2006, EN 60079-1 : 2007, EN 60079-7 : 2003, EN 61241-0 : 2006, EN 61241-1 : 2004
- IECEx certificate: IECEx KEM 10.0003, IEC 60079-0 : 2004 (Ed4), IEC 60079-1 : 2007 (Ed6), IEC 60079-7 : 2001 (Ed3), IEC 61241-0 : 2004 (Ed1), IEC 61241-1 : 2004 (Ed1)
- GOST-R certificate: POCC GB.JB05.B03365
- VdS certificate: G 206011
- CPD certificate: 0786-CPD-20225
- Safety-integrity suitability: SIL1
- Inmetro certificate: 104Ex-0009





Specification

Maximum output: 121dB(A) @ 1 metre [112dB(A) @ 10ft/3m]

Nominal output: 117dB(A) @ 1m +/- 3dB - Tone 2 [108dB(A) @ 10ft/3m]

No. of tones: 32 (UKOOA / PFEER compliant)

No. of stages: 3

Volume control: Max. 117dB(A);
Min. 108dB(A) - Tone 2

Effective range: 200m/656ft @ 1KHz

Voltages DC: 12vdc; 24vdc; 48vdc

Voltages AC: 115vac; 230vac

Stage switching: Negative or positive

Ingress protection: S120D : IP66/67 S120E : IP66

Housing material: Marine grade copper free
LM6 Aluminium

Housing finish: Phosphated & powder coated finish - anti-corrosion.

Colour: RAL3000 Red
(others available on request)

BEExS120 flare: High impact UL94 V0 & 5VA FR ABS (Red)

BEExDS120 flare: Anti-Static High impact ABS (Black)

Cable entries: Dual M20 ISO (one stopping plug inc)

Terminals: 0.5 to 2.5mm² cables.

Line monitoring: Min. 500 Ohm 2w, or 3k3 Ohm
0.5w res. or diode within
Exd enclosure (dc versions).

Weight: DC: 3.20kg/7.04lbs AC: 3.40kg/7.48lbs

*SPL data +/-3dB(A). Measured at optimum voltage.

Part Codes

Part Code:

BEExS120D **

Classification:

ATEX/IECEx:
II 2G Ex d IIB T4 Ta. -50° to +70°C
II 2G Ex d IIC T4 Ta. -50° to +55°C
GOST-R:
1ExdIICT4 Ta. -50° to +55°C

BEExS120E **

ATEX/IECEx:
II 2G Ex de IIB T4 Ta. -50° to +70°C
II 2G Ex de IIC T4 Ta. -50° to +55°C
GOST-R:
2ExdelICT4 Ta. -50° to +55°C

BEExDS120D **

ATEX/IECEx:
II 2G Ex d IIB T4 Ta. -50° to +70°C
II 2G Ex d IIC T4 Ta. -50° to +55°C
II 2D Ex tD A21 IP67 T115
based on a max. Ta. of 70°C
GOST-R:
1ExdIICT4 Ta. -50° to +55°C T100°C
DIP A21 TaT4

BEExDS120E **

ATEX/IECEx:
II 2G Ex de IIB T4 Ta. -50° to +70°C
II 2G Ex de IIC T4 Ta. -50° to +55°C
II 2D Ex tD A21 IP66 T115
based on a max. Ta. of 70°C
GOST-R:
2ExdelICT4 Ta. -50° to +55°C T100°C
DIP A21 Ta T4

** = Voltage reference:

Options: 12DC, 24DC, 48DC, 115AC, 230AC

Add 'P' to part number for Programmable version

Current Consumption

Version:	Voltage:	Current:
12V dc	+/-25%	850mA
24V dc	+/-25%	800mA
48V dc	+/-25%	420mA
115V ac	50/60Hz +10/-10%	180mA
230V ac	50/60Hz +10/-10%	90mA

Tone table

S 1	Description	S 2	S 3
T 1	Continuous 1000Hz Toxic Gas Alarm	T 31	T 11
T 2	Alternating 800/1000Hz at 0.25s intervals	T 17	T 5
T 3	Slow Whoop 500/1200Hz at 0.3Hz with 0.5s gap ...	T 2	T 5
T 4	Sweeping 800/1000 at 1Hz	T 6	T 5
T 5	Continuous at 2400Hz	T 3	T 27
T 6	Sweeping 2400/2900Hz at 7Hz	T 7	T 5
T 7	Sweeping 2400/2900Hz at 1Hz	T 10	T 5
T 8	Siren 500/1200/500Hz at 0.3Hz	T 2	T 5
T 9	Sawtooth 1200/500Hz at 1Hz	T 15	T 2
T 10	Alternating 2400/2900Hz at 2Hz	T 7	T 5
T 11	Intermittent 1000Hz at 0.5Hz General alarm	T 31	T 1
T 12	Alternating 800/1000Hz at 0.875Hz	T 4	T 5
T 13	Intermittent 2400Hz at 1Hz	T 15	T 5
T 14	Intermittent 800Hz 0.25s on 1s off	T 4	T 5
T 15	Continuous at 800Hz	T 2	T 5
T 16	Intermittent 660Hz 150mS on, 150mS off	T 18	T 5
T 17	Alternating 544Hz (100mS)/440Hz(400mS)	T 2	T 27
T 18	Intermittent 660Hz 1.8s on, 1.8s off	T 2	T 5
T 19	1400Hz to 1600Hz sweep up over 1s -1600Hz to ...	T 2	T 5
T 20	Continuous 660Hz	T 2	T 5
T 21	Alternating 554/440Hz at 1Hz	T 2	T 5
T 22	Intermittent 554Hz at 0.875Hz	T 2	T 5
T 23	800Hz pulsing at 2Hz	T 6	T 5
T 24	Sweeping 800/1000Hz at 50Hz	T 29	T 5
T 25	Sweeping 2400/2900Hz at 50Hz	T 29	T 5
T 26	Simulated bell sound	T 2	T 1
T 27	Continuous 554Hz	T 26	T 5
T 28	Continuous 440Hz	T 2	T 5
T 29	Sweeping 800/1000Hz at 7Hz	T 7	T 5
T 30	420Hz repeating 0.625s on, 0.625s off Austral...	T 32	T 5
T 31	1200/500Hz at 1 Hz Prepare to Abandon Platform	T 11	T 1
T 32	Sweeping 500/1200Hz 3.75s on, 0.25s off 15Hz	T 26	T 1