

# GNExS2 Alarm Horn Sounder 123dB(A)

The flameproof GNExS2 alarm sounder is suitable for Zone 1 & Zone 2 applications - certified to ATEX and IECEx.

Sound level outputs are up to 123dB(A) at 1 metre with a choice of 45 alarm tones and 4 remotely selectable stages. The alarm tone frequencies for the first 2 stages are independently selectable. The GNEx range features enclosures manufactured from GRP (glass reinforced polyester), moulded in natural red, but also available in other colours.

The re-entrant flare horn is high impact, fire retardant ABS. All models have two M20 cable entries, large termination areas containing in & out terminals and an ingress protection of IP66/67.

## Features

- Automatic synchronisation on multi-sounder system.
- Very large termination area.
- Ratchet adjustable stainless steel 'U' bracket.
- IN & OUT terminals.
- Independently selectable tones for 1st & 2nd stages.

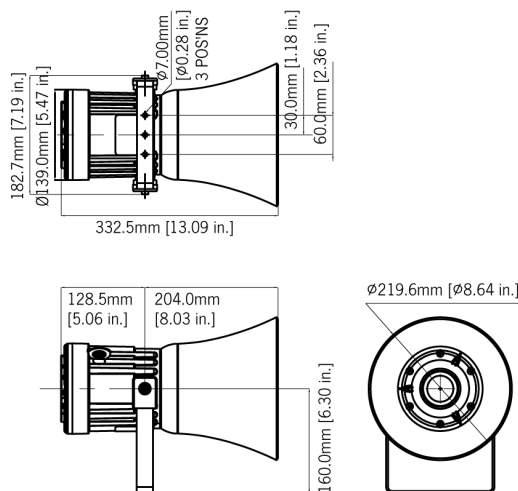
## Approvals

- ATEX certificate: SIRA 13ATEX1139X, EN 60079-0 : 2012, EN 60079-1 : 2007
- IECEx certificate: IECEx SIR 13.0029X, IEC 60079-0 : 2011 (Ed6), IEC 60079-1 : 2007 (Ed6)

## Coding

- II 2G Ex d IIC T4 Ta. -60° to +50°C
- II 2G Ex d IIC T3 Ta. -60° to +58°C
- II 2G Ex d IIB T6 Ta. -60° to +50°C
- II 2G Ex d IIB T5 Ta. -60° to +58°C





## Specification

Maximum output: 123dB(A) @ 1 metre [114dB(A) @ 10ft/3m]

Nominal output: 117dB(A) @ 1m +/- 3dB - Tone 2 [108dB(A) @ 10ft/3m]

No. of tones: 45 (UKOOA / PFEER compliant)

No. of stages: 4

Volume control: Max. 117dB(A);  
Min. 108dB(A) - Tone 2

Effective range: 200m/656ft @ 1KHz

Voltages DC: 24vdc (10-30vdc), 48vdc (38-60vdc)

Voltages AC: 230vac (100-260vac)

Stage switching: Negative or positive

Ingress protection: IP66/67

Housing material: GRP

Colour: RAL3000 Red  
(others available on request)

Flare: High impact UL94 V0  
& 5VA FR ABS (Red)

Cable entries: Dual M20 ISO

Terminals: 0.5 to 2.5mm<sup>2</sup> cables.

Line monitoring: Min. 500 Ohm 2w,  
or 3k3 Ohm 0.5w res.  
or diode within Exd enclosure  
(dc versions).

Weight: DC: 3.35kg/7.37lbs AC: 3.55kg/7.81lbs

## Part Codes

| Code: | Description:   |
|-------|--|
| GNEs2 | S2 alarm sounder                                     |
| DC024 | 24vdc (10-30vdc)                                     |
| DC048 | 48vdc (35-60vdc)                                     |
| AC230 | 230vac (100-260vac)                                  |
| -N    | No stopping plug (standard)                          |
| -B    | Brass stopping plug                                  |
| -S    | Stainless steel stopping plug                        |
| -P    | Nickel plated brass stopping plug                    |
| -1    | Mounting bracket 304 stainless steel (A2) (standard) |
| -2    | Mounting bracket 316 stainless steel (A4)            |
| -A-1  | Approval to ATEX & IECEx (standard)                  |
| -R    | Housing colour Red (standard)                        |
| -S    | Other housing colour - please specify                |

Example:

GNEs2DC024B-1-A-1-R

GNEs2 24vdc with brass stopping plug, 304 stainless steel mounting bracket, approved to ATEX & IECEx in a red housing.

## Current Consumption

| Version:           | Voltage:       | Current:       |
|--------------------|----------------|----------------|
| 24V dc             | 10-30vdc       | 811mA @ 24vdc  |
| 48V dc             | 38-60vdc       | 434mA @ 48vdc  |
| 115V ac<br>50/60Hz | 100-230<br>vac | 297mA @ 115vac |
| 230V ac<br>50/60Hz | 100-230<br>vac | 196mA @ 230vac |

### Tone table

| S 1  | Description                                     | S 2 | S 3  | S 4  | S 1  | Description                                      | S 2 | S 3  | S 4  |
|------|---|-----|------|------|------|--|-----|------|------|
| T 1  | 340 Hz Continuous                               | Any | T 5  | T 29 | T 33 | 745Hz @ 1Hz Intermittent                         | Any | T 5  | T 29 |
| T 2  | 800/1000Hz @ 0.25 sec Alternating               | Any | T 5  | T 45 | T 34 | 1000 & 2000Hz @ 0.5 sec Alternating - Singapore  | Any | T 45 | T 37 |
| T 3  | 500/1200Hz @ 0.3Hz 0.5 sec Slow Whoop           | Any | T 5  | T 29 | T 35 | 420Hz @ 0.625 sec Australian Alert               | Any | T 5  | T 34 |
| T 4  | 800/1000Hz @ 1Hz Sweeping                       | Any | T 5  | T 34 | T 36 | 500-1200Hz 3.75sec /0.25sec. Australian Evac.    | Any | T 5  | T 45 |
| T 5  | 2400Hz Continuous                               | Any | T 20 | T 29 | T 37 | 1000Hz Continuous - PFEER Toxic Gas              | Any | T 45 | T 38 |
| T 6  | 2400/2900Hz @ 7Hz Sweeping                      | Any | T 5  | T 45 | T 38 | 2000Hz Continuous                                | Any | T 45 | T 37 |
| T 7  | 2400/2900Hz @ 1Hz Sweeping                      | Any | T 5  | T 45 | T 39 | 800Hz 0.25sec on, 1 sec off Intermittent         | Any | T 17 | T 37 |
| T 8  | 500/1200/500Hz @ 0.3Hz Sweeping                 | Any | T 5  | T 45 | T 40 | 544Hz (100mS)/440Hz (400mS) - NF S 32-001        | Any | T 27 | T 38 |
| T 9  | 1200/500Hz @ 1Hz - DIN / PFEER P.T.A.P.         | Any | T 2  | T 38 | T 41 | Motor Siren - slow rise to 1200 Hz               | Any | T 5  | T 29 |
| T 10 | 2400/2900Hz @ 2Hz Alternating                   | Any | T 5  | T 45 | T 42 | Motor Siren - slow rise to 800 Hz                | Any | T 5  | T 29 |
| T 11 | 1000Hz @ 1Hz Intermittent                       | Any | T 5  | T 29 | T 43 | 1200 Hz Continuous                               | Any | T 5  | T 45 |
| T 12 | 800/1000Hz @ 0.875Hz Alternating                | Any | T 5  | T 45 | T 44 | Motor Siren - slow rise to 2400 Hz               | Any | T 5  | T 34 |
| T 13 | 2400Hz @ 1Hz Intermittent                       | Any | T 5  | T 29 | T 45 | 1KHz 1s on, 1s off Intermittent - PFEER Gen. ... | Any | T 34 | T 37 |
| T 14 | 800Hz 0.25sec on, 1 sec off Intermittent        | Any | T 5  | T 45 |      |  |     |      |      |
| T 15 | 800Hz Continuous                                | Any | T 5  | T 34 |      |  |     |      |      |
| T 16 | 660Hz 150mS on, 150mS off Intermittent          | Any | T 5  | T 29 |      |  |     |      |      |
| T 17 | 554Hz (100mS)/440Hz (400mS) - NF S 32-001       | Any | T 27 | T 45 |      |  |     |      |      |
| T 18 | 660Hz 1.8sec on, 1.8sec off Intermittent        | Any | T 5  | T 45 |      |  |     |      |      |
| T 19 | 1.4KHz-1.6KHz 1s, 1.6KHz-1.4KHz 0.5s -NFC48-265 | Any | T 5  | T 29 |      |  |     |      |      |
| T 20 | 660Hz Continuous                                | Any | T 5  | T 34 |      |  |     |      |      |
| T 21 | 554Hz/440Hz @ 1Hz Alternating                   | Any | T 5  | T 29 |      |  |     |      |      |
| T 22 | 544Hz @ 0.875 sec. Intermittent                 | Any | T 5  | T 29 |      |  |     |      |      |
| T 23 | 800Hz @ 2 Hz Intermittent                       | Any | T 5  | T 29 |      |  |     |      |      |
| T 24 | 800/1000Hz @ 50Hz Sweeping                      | Any | T 5  | T 34 |      |  |     |      |      |
| T 25 | 2400/2900Hz @ 50Hz Sweeping                     | Any | T 5  | T 45 |      |  |     |      |      |
| T 26 | Bell  | Any | T 15 | T 34 |      |  |     |      |      |
| T 27 | 554Hz Continuous                                | Any | T 5  | T 29 |      |  |     |      |      |
| T 28 | 440Hz Continuous                                | Any | T 5  | T 45 |      |  |     |      |      |
| T 29 | 800/1000Hz @ 7Hz Sweeping                       | Any | T 5  | T 45 |      |  |     |      |      |
| T 30 | 300Hz Continuous                                | Any | T 5  | T 45 |      |  |     |      |      |
| T 31 | 660/1200Hz @ 1Hz Sweeping                       | Any | T 5  | T 29 |      |  |     |      |      |
| T 32 | Two T chime.                                    | Any | T 15 | T 45 |      |  |     |      |      |