

BExTBG05 Telephone Beacon 5 Joule

The flameproof xenon beacons are suitable for Zone 1, 2, 21 & 22 applications.

The BExTBG05 5 Joule units are telephone initiated beacons. Their robust construction makes installation in the harshest of environments possible. Additional features include stainless steel lens guard and stainless steel mounting bracket as standard. The ring tone detect circuit senses the ringing voltage on the telephone line and switches the supply (115V ac or 230V ac) to enable the beacon until the telephone is answered.

The BEx range features enclosures manufactured from corrosion proof, marine grade copper free LM6 aluminium which is phosphated and powder coated. All models have two M20 cable entries, large termination areas and an ingress protection of IP66/67.

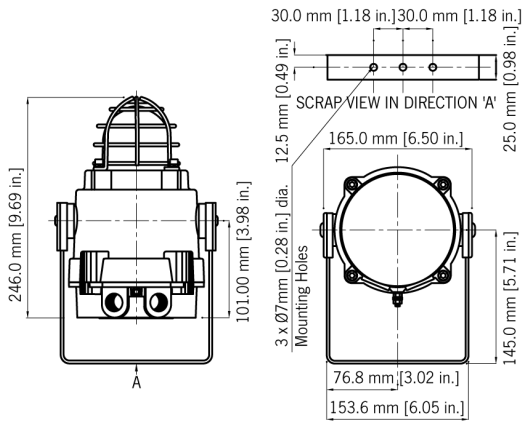
Features

- Xenon tubes mechanically secured against shock & vibration
- Glass lens & Stainless Steel guard
- Very large termination area.
- Ratchet adjustable stainless steel 'U' bracket.

Approvals

- ATEX certificate: KEMA 00ATEX2006, EN 60079-0 : 2006, EN 60079-1 : 2007, EN 61241-0 : 2006, EN 61241-1 : 2004
- IECEx certificate: IECEx KEM 10.0002, IEC 60079-0 : 2004 (Ed4), IEC 60079-1 : 2007 (Ed6), IEC 61241-0 : 2004 (Ed1), IEC 61241-1 : 2004 (Ed1)
- GOST-R certificate: POCC GB.JB05.B03365
- Inmetro certificate: 10IEx-0010





Specification

Energy:	5 Joules (5Ws)
Flash rate:	1Hz (60 fpm)
Peak Candela:	500,000 cd - calculated from energy (J)
Effective Intensity cd:	250 cd - calculated from energy (J)
Peak Candela:	34,812 cd* - measured ref. to I.E.S.
Effective Intensity cd:	105 cd* - measured ref. to I.E.S.
Lens colours:	Amber, Blue, Clear, Green, Red & Yellow
Voltages AC:	115vac; 230vac
Ingress protection:	IP66/67
Housing material:	Marine grade copper free LM6 Aluminium
Housing finish:	Phosphated & powder coated finish - anti-corrosion.
Colour:	RAL3000 Red (others available on request)
Cable entries:	Dual M20 ISO (one stopping plug inc)
Terminals:	0.5 to 2.5mm ² cables.
Line monitoring :	Min. 500 Ohm 2w, or 3k3 Ohm 0.5w res. or diode (dc versions).
Tube life :	Emissions are reduced to 70% after 8 million flashes
Weight :	2.75kg/6.05lbs

*SPL data +/-3dB(A). Measured at optimum voltage.

*Candela measurements representative of performance with clear lens at optimum voltage.

Part Codes

Part Code:
BExTBG05D**

Classification:

ATEX / IECEx:
 II 2G Ex d IIC T4 Ta. -50°C to +70°C
 II 2G Ex d IIC T5 Ta. -50°C to +55°C
 II 2G Ex d IIC T6 Ta. -50°C to +40°C
 II 2D Ex tD A21 IP67 T115°C based on max. Ta. 70°C

GOST-R:
 1ExdIICT4 Ta. -50° to +55°C
 DIP A21 Ta T4

** = Voltage & lens colour reference:

Voltage options: 115AC, 230AC

Lens colour options:	-AM (Amber)	-BL (Blue)	-CL (Clear)
	-GN (Green)	-RD (Red)	-YW (Yellow)

e.g: BExTBG05D115AC-AM

Current Consumption

Version:		Voltage:	Current:
115V ac	50Hz/60Hz	+/-10%	140mA
230V ac	50Hz/60Hz	+/-10%	55mA