

BExCBG05-05 Dual Xenon Beacon 5 Joule

The flameproof BExCBG05-05 dual xenon beacons are suitable for Zone 1, 2, 21 & 22 applications.

The BExCBG05-05D dual 5 Joule beacons are ideal for general signalling duties whilst their robust construction makes installation in the harshest of environments possible. The beacons may be connected from a single supply for simultaneous operation or from separate supplies for independent operation. Additional features include automatic synchronisation on multi-beacon systems and stainless steel guard and mounting bracket as standard.

The BEx range features enclosures manufactured from corrosion proof, marine grade copper free LM6 aluminium which is phosphated and powder coated. All models have two M20 cable entries, large termination areas and an ingress protection of IP67.

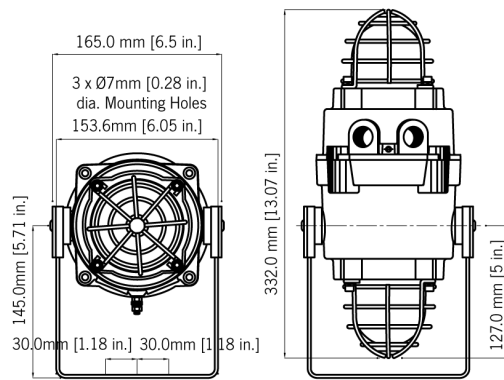
Features

- Automatic synchronisation on multi-beacon system.
- Beacons can be set to 'flip-flop' alternating mode with other units on multi-beacon systems.
- Xenon tubes mechanically secured against shock & vibration
- Glass lens & Stainless Steel guard
- Very large termination area.
- Ratchet adjustable stainless steel 'U' bracket.

Approvals

- ATEX certificate: KEMA 01ATEX2222X,
EN 60079-0 : 2006, EN 60079-1 : 2007,
EN 61241-0 : 2006, EN 61241-1 : 2004
- IECEx certificate: IECEx KEM 10.0024,
IEC 60079-0 : 2004 (Ed4), IEC 60079-1 : 2007 (Ed6),
IEC 61241-0 : 2004 (Ed1), IEC 61241-1 : 2004 (Ed1)
- GOST-R certificate: POCC GB.JB05.B03365





Specification

Energy:	5 Joules x 2 (5Ws)
Flash rate:	1Hz (60 fpm)
Peak Candela:	500,000 cd x2 - calculated from energy (J)
Effective Intensity cd:	250 cd x2 - calculated from energy (J)
Peak Candela:	34,812 cd* x2 - measured ref. to I.E.S.
Effective Intensity cd:	105 cd* x2 - measured ref. to I.E.S.
Lens colours:	Amber, Blue, Clear, Green, Red & Yellow
Voltages DC:	12vdc; 24vdc; 48vdc
Voltages AC:	115vac; 230vac
Ingress protection:	IP66/67
Housing material:	Marine grade copper free LM6 Aluminium
Housing finish:	Phosphated & powder coated finish - anti-corrosion.
Colour:	RAL3000 Red (others available on request)
Cable entries:	Dual M20 ISO (one stopping plug inc)
Terminals:	0.5 to 2.5mm ² cables.
Line monitoring :	Min. 500 Ohm 2w, or 3k3 Ohm 0.5w res. or diode (dc versions).
Tube life:	Emissions are reduced to 70% after 8 million flashes
Weight:	DC: 4.00kg/8.8lbs AC: 4.35kg/9.57lbs

*All candela data is representative of performance with clear lens at optimum voltage.

Part Codes

Part Code: BExCBG0505D**	Classification: ATEX / IECEx: II 2G Ex d IIC T4 Ta. -50°C to +70°C II 2G Ex d IIC T5 Ta. -50°C to +55°C II 2D Ex tD A21 IP67 T125°C based on max. Ta. of +70°C GOST-R: 1ExdIICT4 Ta. -50° to +55°C DIP A21 Ta T4
------------------------------------	--

** = Voltage & lens colour reference:

Voltage options:	12 DC, 24DC, 48DC, 115AC, 230AC
Lens colour options:	-A (Amber) -B (Blue) -C (Clear) -G (Green) -R (Red) -Y (Yellow)

e.g. BExCBG0505D115AC-A/R

Current Consumption

Version:	Voltage:	Current:
12V dc	10-14V dc	750mA
24V dc	20-28V dc	300mA
48V dc	42-54V dc	180mA
115V ac	50Hz/60Hz +/-10%	140mA
230V ac	50Hz/60Hz +/-10%	55mA