

BExBG10 Xenon Beacon 10 Joule

The flameproof BExBG10 xenon beacons are suitable for Zone 1, 2, 21 & 22 applications.

The BExBG10 10 Joule beacons are ideal for general signalling duties whilst their robust construction makes installation in the harshest of environments possible. Additional features include automatic synchronisation on multi-beacon systems and stainless steel guard and mounting bracket as standard.

The BEx range features enclosures manufactured from corrosion proof, marine grade copper free LM6 aluminium which is phosphated and powder coated. All models have two M20 cable entries, large termination areas containing in & out terminals (Ex de version only) and an ingress protection of IP66/67 (Ex d) and IP66 (Ex de).

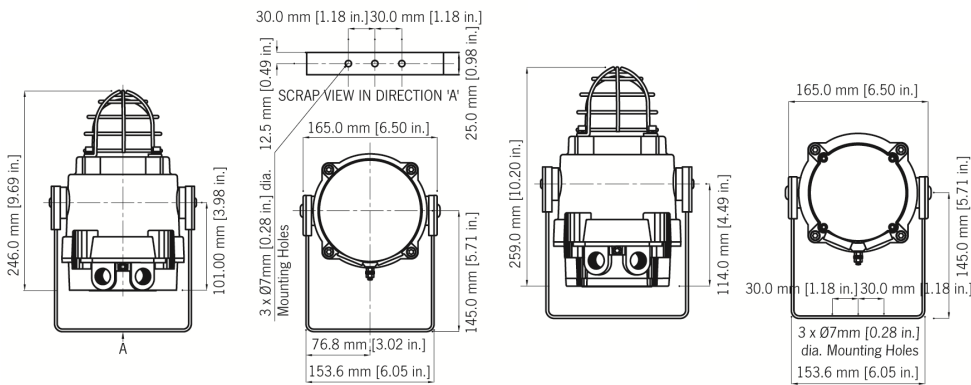
Features

- Automatic synchronisation on multi-beacon system.
- Beacons can be set to 'flip-flop' alternating mode with other units on multi-beacon systems.
- Xenon tubes mechanically secured against shock & vibration
- Glass lens & Stainless Steel guard
- Very large termination area.
- Ratchet adjustable stainless steel 'U' bracket.
- IN & OUT terminals (Ex de version only).

Approvals

- ATEX certificate: KEMA 00ATEX2006,
EN 60079-0 : 2006, EN 60079-1 : 2007,
EN 60079-7 : 2003, EN 61241-0 : 2006,
EN 61241-1 : 2004
- IECEx certificate: IECEx KEM 10.0002,
IEC 60079-0 : 2004 (Ed4), IEC 60079-1 : 2007 (Ed6),
IEC 60079-7 : 2001 (Ed3), IEC 61241-0 : 2004 (Ed1),
IEC 61241-1 : 2004 (Ed1)
- GOST-R certificate: POCC G.B.JB05.B03365
- Inmetro certificate: 10HEx-0010





Specification

Energy:	10 Joules (10Ws)
Flash rate:	1Hz (60 fpm)
Peak Candela:	1,000,000 cd - calculated from energy (J)
Effective Intensity cd:	500 cd - calculated from energy (J)
Peak Candela:	79,531 cd* - measured ref. to I.E.S.
Effective Intensity cd:	346 cd* - measured ref. to I.E.S.
Lens colours:	Amber, Blue, Clear, Green, Red & Yellow
Voltages DC:	12vdc; 24vdc; 48vdc
Voltages AC:	115vac; 230vac
Ingress protection:	BG 10D : IP66/67 BG 10E : IP66
Housing material:	Marine grade copper free LM6 Aluminium
Housing finish:	Phosphated & powder coated finish - anti-corrosion.
Colour:	RAL3000 Red (others available on request)
Cable entries:	Dual M20 ISO (one stopping plug included)
Terminals:	0.5 to 2.5mm ² cables.
Line monitoring:	Min. 500 Ohm 2w, or 3k3 Ohm 0.5w res. or diode within Exd enclosure (dc versions).
Tube life:	Emissions are reduced to 70% after 8 million flashes
Weight:	DC: 2.45kg/5.39lbs AC: 2.75kg/6.05lbs

*All candela data is representative of performance with clear lens at optimum voltage.

Part Codes

Part Code:
BExBG 10D**

Classification:

ATEX / IECEx:
II 2G Ex d IIC T4 Ta. -50°C to +70°C
II 2G Ex d IIC T5 Ta. -50°C to +40°C
II 2D Ex tD A21 IP67 T125°C based on max. Ta. 70°C

GOST-R:

1ExdIICT4 Ta. -50° to +55°C
DIP A21 Ta T4

BExBG 10E**

ATEX / IECEx:

II 2G Ex de IIC T4 Ta. -50°C to +70°C
II 2G Ex de IIC T5 Ta. -50°C to +40°C
II 2D Ex tD A21 IP66 T125°C based on max.Ta 70°C

GOST-R:

2ExdeICT4 Ta. -50° to +55°C
DIP A21 Ta T4

** = Voltage & lens colour reference:

Voltage options: 12DC, 24DC, 48DC, 115AC, 230AC

Lens colour options:
-AM (Amber) -BL (Blue) -CL (Clear)
-GN (Green) -RD (Red) -YW (Yellow)

e.g. BExBG 10D115AC-AM

Current Consumption

Version:	Voltage:	Current:
12V dc	10-14V dc	1.45A
24V dc	20-28V dc	660mA
48V dc	42-54V dc	340mA
115V ac	50Hz/60Hz +/-10%	250mA
230V ac	50Hz/60Hz +/-10%	110mA