

IS-L101L LED Beacon

The IS-L101L unit is an intrinsically safe field mounting beacon which provides a bright flashing warning signal.

The unit can be used independently or combined with an IS-A105N 49 alarm sounder. Combination units can utilise a common zener barrier or galvanic isolator and may be coupled together or mounted separately. With the IS-A105N the alarm accept function can be utilised. By closing a pair of external contacts (i.e push switch) the operator may silence the alarm for set periods between 5 seconds and 2 hours. If after the preset time the alarm condition still exists the sounder will activate again.

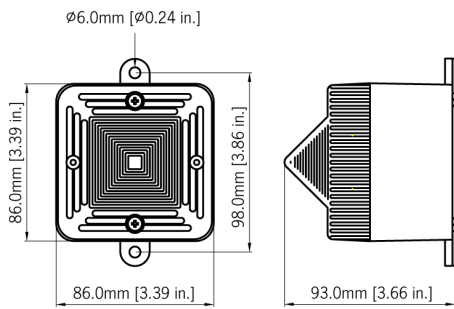
Features

- Input overload and reverse current protection
- Prismatic lens optimises L.E.D effectiveness

Approvals

- ATEX certificate: SIRA 04ATEX2302X, EN 60079-0 : 2006, EN 60079-11 : 2007, EN 60079-26 : 2007
- IECEx certificate: IECEx SIR 04.0039X, IEC 60079-0 : 2007, IEC 60079-11 : 2006, IEC 60079-26 : 2006
- FM approved: Class 3600 1998, Class 3610 1999, Class 3810 2005, IEC 60529 : 1989
- GOST-R certificate: POCC GB.JB05.B03365





Specification

Light source: Array of 6 high intensity L.E.D.'s.

L.E.D. colours: Red, Amber, Blue & Green

Standalone mode: 2Hz (2 double flashes per second)

Effective intensity: 48cd^* - measured ref. to I.E.S.
cd:

With ISA105N: On : 1 Hz (1 double flash per second)
Silenced: 2 Hz (2 double flashes per second)
(alarm accepted)

Voltage: 16-28Vdc via Zener barrier or galvanic isolator

Current: Stand alone: 25mA typical
With ISA105N: 35mA typical

Ingress protection: IP66

Rating: Continuous

Housing material: UL94V0 & 5VA FR ABS & PC

Housing colour: RAL3000 Red

Fixings: Stainless Steel

Cable entries: 1 x M20 clearance gland knockout.

Terminals: 0.5 to 2.5mm²

Operating temp: -40° to +60°C [-40 to +140°F]

Storage temp: -40° to +70°C [-40 to +158°F]

Relative humidity: 90% at 20°C [68°F]

Weight: 0.40Kg/0.88lbs

Part Codes

IS-L101L-R/[x]

ATEX / IECEx / FM

II 1G Ex ia IIC T4 Ga (-40°C ≤Ta≤ +60°C)

IS Class I, Zone 0, AEx ia IIC T4 Ta= +60°C

IS Class I, Division 1, Groups A, B, C, D T4

GOST-R

0ExialICT4 IP65 -40° to +60°C

[x]: Lens colour: A: Amber
B: Blue
G: Green
R: Red

May be powered from any certified Zener barrier or galvanic isolator whose output parameters do not exceed :

Uo : 28VDC

Io : 660mA

Po : 1.2W